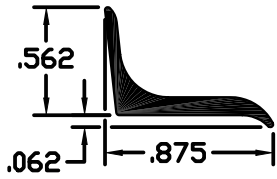


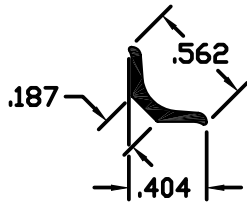
CORNER DIES

BE-192



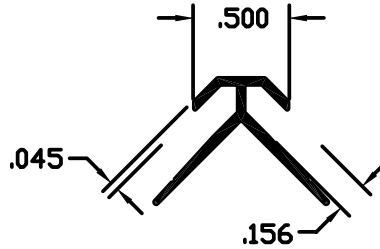
WT/FT - .134

BE-241



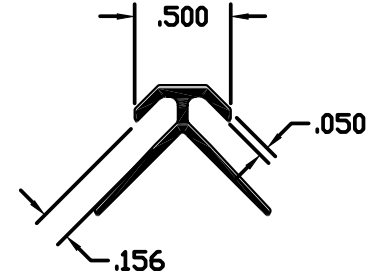
WT/FT - .046

BE-122



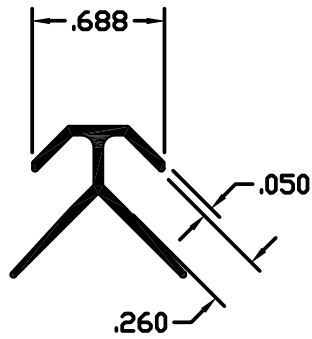
WT/FT - .106

BE-174



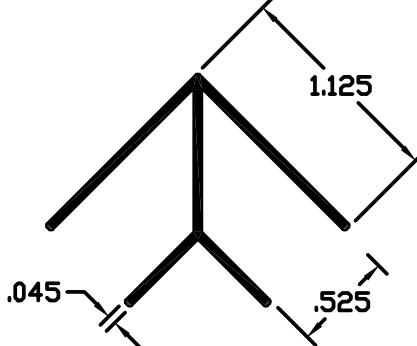
WT/FT - .109

BE-225



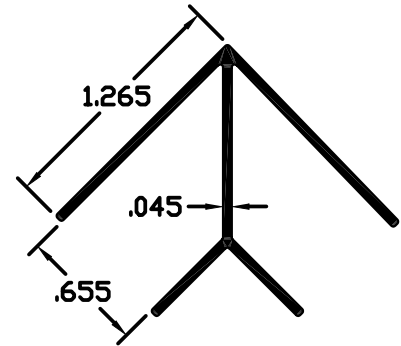
WT/FT - .133

BE-617



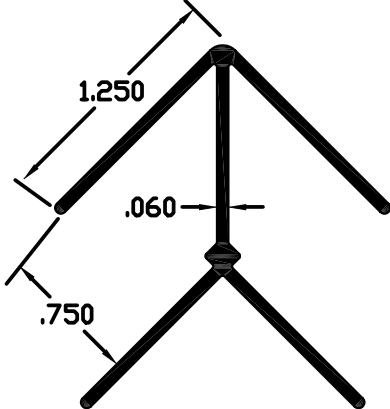
WT/FT - .215

BE-662



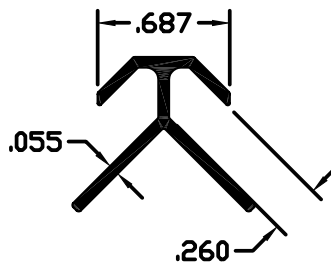
WT/FT - .244

BE-742



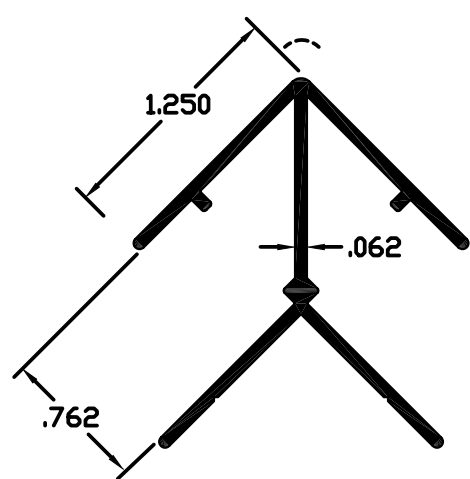
WT/FT - .410

BE-963



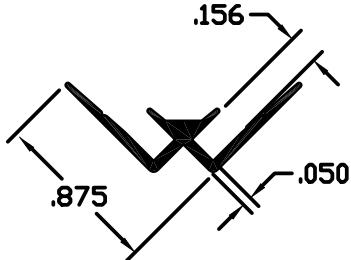
WT/FT - .161

BE-1108



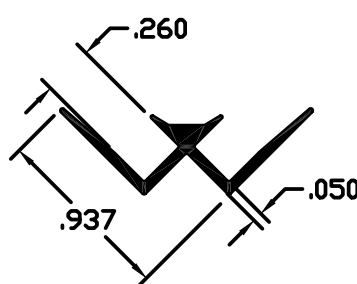
WT/FT - .436

BE-99



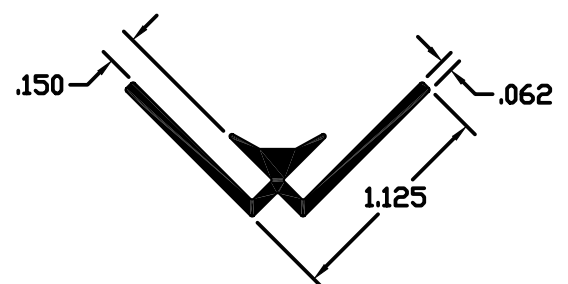
WT/FT - .114

BE-224



WT/FT - .130

BE-1782



WT/FT - .216